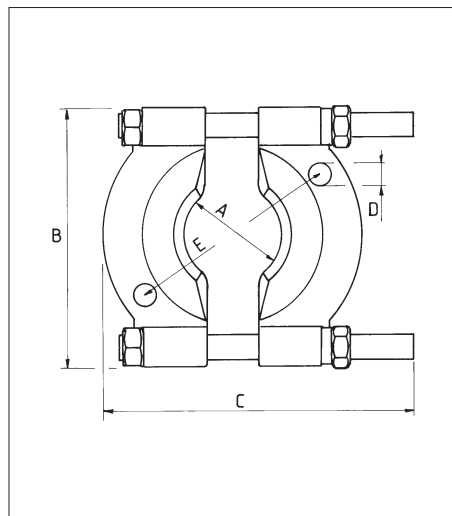


SEPARATOR

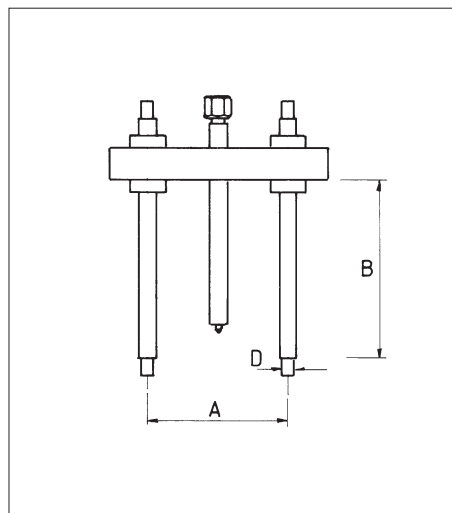


For separating closely seated or thin pulleys and wheels.

- If puller hooks cannot reliably grip around the part to be pulled off, as it is seated too closely, then the separator is used. The separating blades are mounted between the parts and pressed against each other. The wedge shape of the separating blade separates the assembly.
- The separator is also used for thin parts to be pulled off, as the pull-off force acts on a large area. Undesirable deformations or damage are avoided. For this purpose, the separating blades are mounted with the flat surface under the part to be pulled off.
- Separating blade drop-forged and hardened.
- High strength of clamping screws.




| A in mm | B in mm | C in mm | D in mm | E in mm | for puller | Art. No. | P. Qty. |
|------------|------------|------------|------------|------------|--------------|---------------------|---------|
| 14 - 75 | 115 | 170 | M10 | 76 - 139 | 0714 524 150 | 0714 524 075 | 1 |
| 22 - 115 | 170 | 250 | M14x1.5 | 115 - 208 | 0714 524 200 | 0714 524 115 | 1 |
| 30 - 155 | 215 | 310 | M18x1.5 | 137 - 262 | 0714 524 300 | 0714 524 155 | 1 |

PULL-OFF DEVICE



The part to be pulled off is pulled off the assembly in conjunction with the separator.

- Following separation, the pull rods of the pulling device are screwed into the separating blade and the cross-member is mounted. The spindle is screwed against the shaft. The part to be pulled off is pulled off gently and reliably by tightening the spindle against the end of the shaft.
- Hexagon nuts on the pull rod enable adjustment of the cross-member.
- Cross-member of malleable cast iron.
- Spindle is nitrocarburized.
- High strength of pull rods.

| A in mm | B in mm |  in mm |  in mm |  in mm | D in mm | for separator | Art. No. | P. Qty. |
|------------|------------|---|---|---|------------|---------------|---------------------|---------|
| 60 - 165 | 230 | M18 | 170 | 19 | M10 | 0714 524 075 | 0714 524 150 | 1 |
| 70 - 215 | 250 | G 1/2" | 210 | 22 | M14x1.5 | 0714 524 115 | 0714 524 200 | 1 |
| 90 - 300 | 270 | G 3/4" | 280 | 27 | M18x1.5 | 0714 524 155 | 0714 524 300 | 1 |